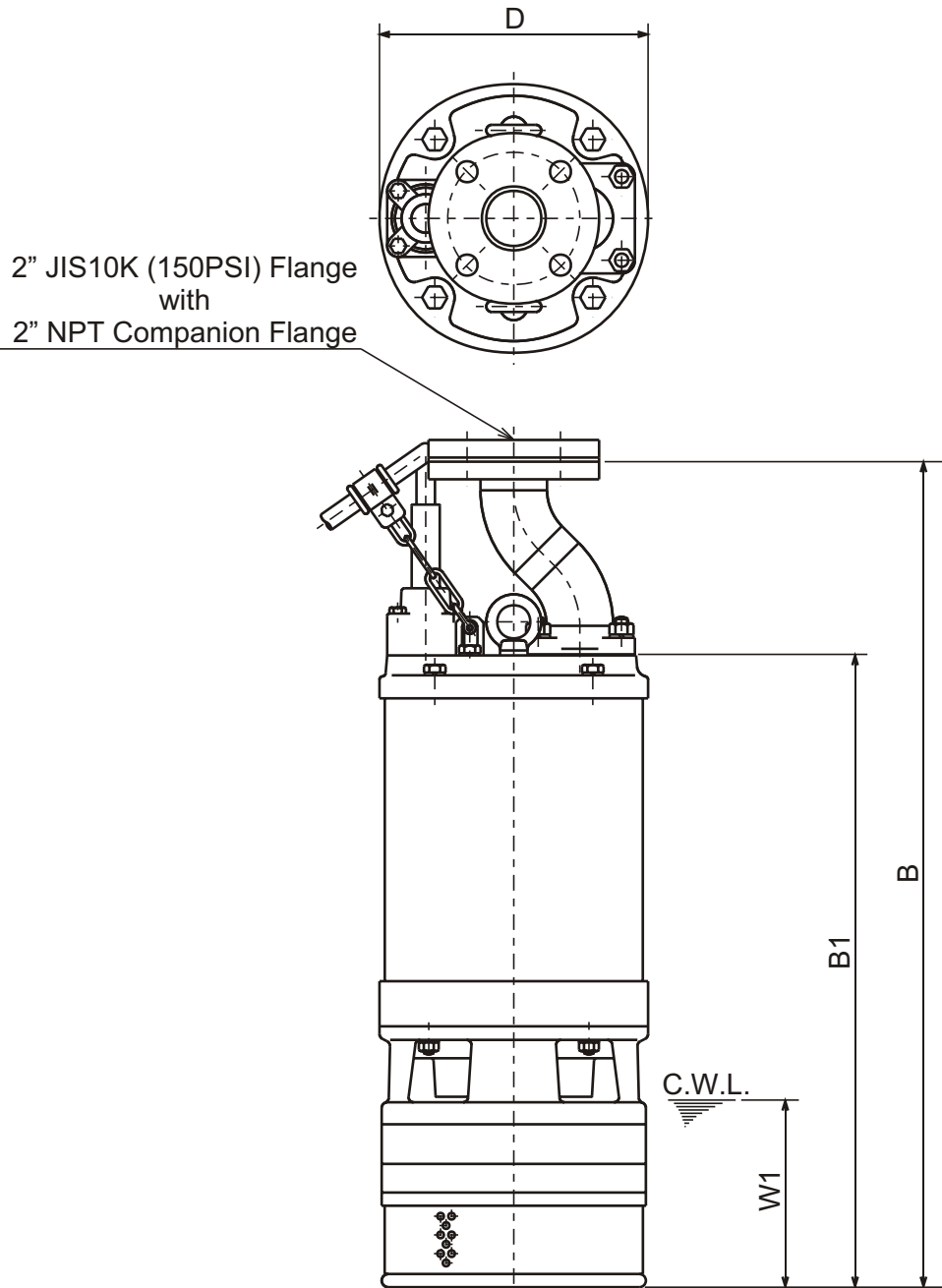




**LH-W SERIES**  
HIGH HEAD - DEWATERING PUMPS

**DIMENSIONS**

**LH25.5W-60**



C.W.L. : Continuous running Water Level

**DIMENSIONS: USCS (Inch)**

Model	HP	NOM. SIZE	Pump & Motor			C.W.L. W1	Wt. (lbs.)
			B	B1	D		
LH25.5W-60	7.5	2"	29 1/2	22 5/8	9 5/8	6 3/4	176

**DIMENSIONS: METRIC (mm)**

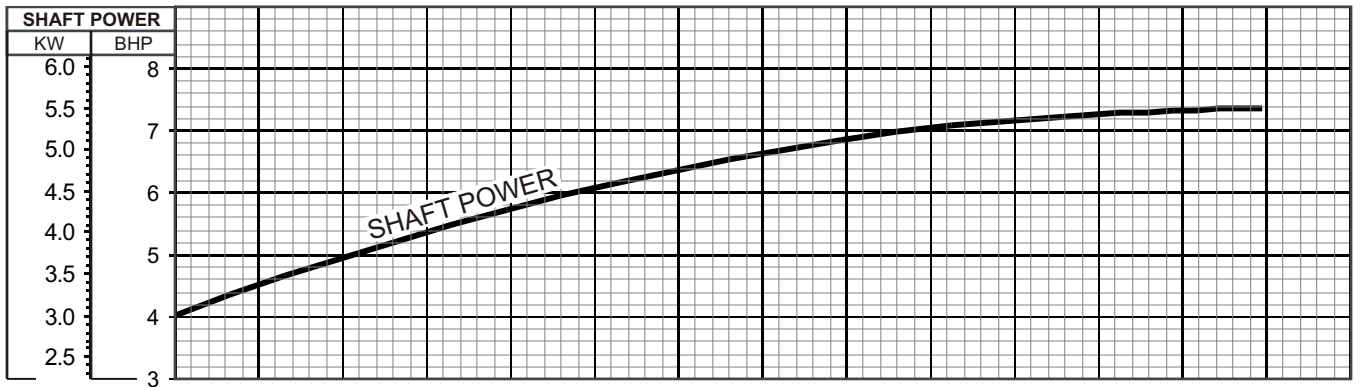
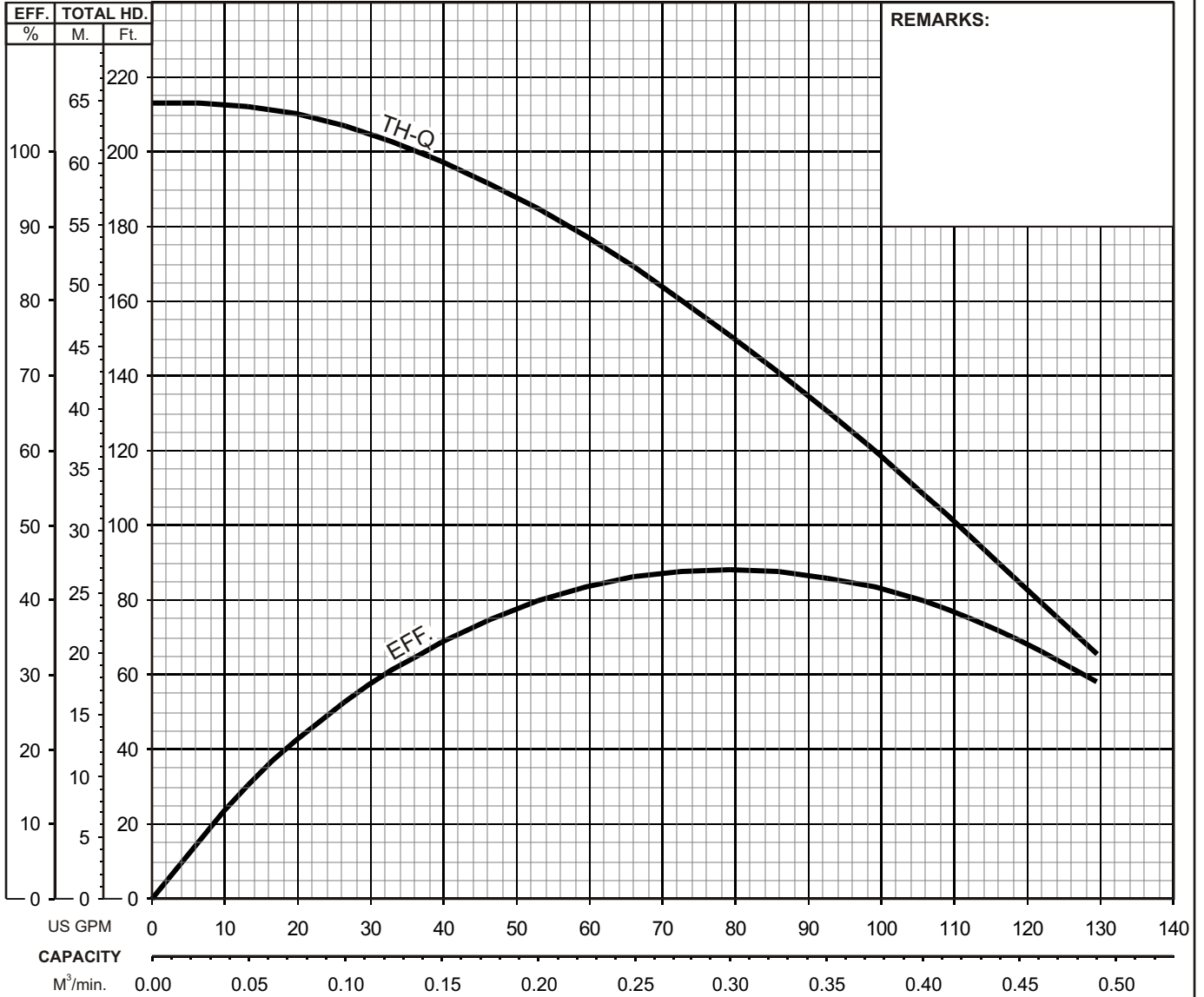
Model	HP	NOM. SIZE	Pump & Motor			C.W.L. W1	Wt. (lbs.)
			B	B1	D		
LH25.5W-60	5.5	50	750	574	244	170	80

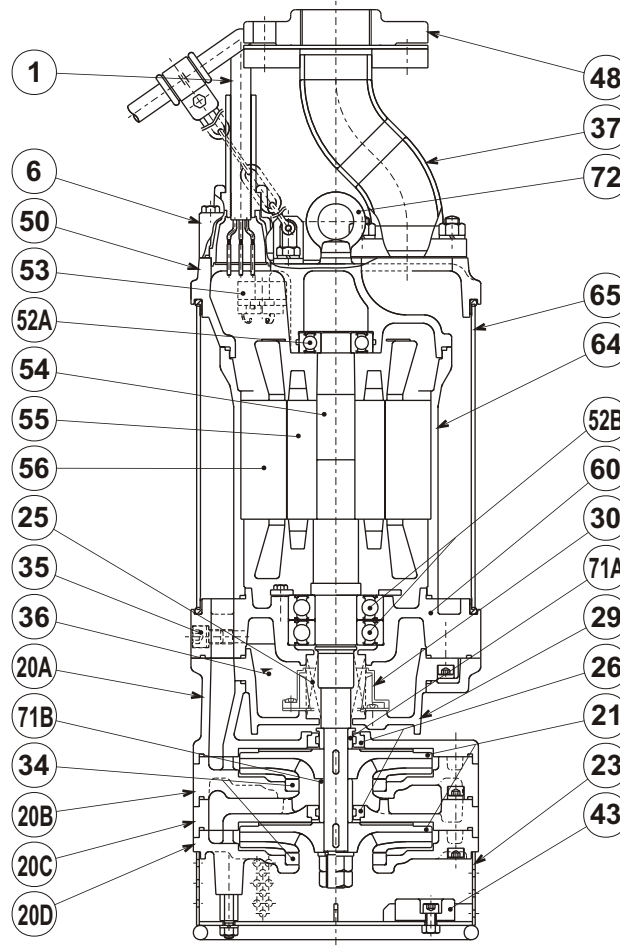


# LH-W SERIES HIGH HEAD - DEWATERING PUMPS

## PERFORMANCE CURVE

MODEL	BORE	HP	KW	RPM	SOLIDS DIA	LIQUID	SG.	VISCOSITY	TEMP.
LH25.5W-60	2"/50mm	7.5	5.5	3385	0.236"/6mm	Water	1.0	1.123 cSt	60°F
PUMP TYPE		PHASE	VOLTAGE	AMPERAGE		HZ	STARTING METHOD		INS. CLASS
High Head Dewatering Pump		3	208/230/460/575	22.0 / 19.2 / 9.6 / 7.7		60	Direct On Line		B
CURVE No.	DATE	PHASE	VOLTAGE	AMPERAGE		HZ	STARTING METHOD		INS. CLASS
-	-	-	-	-		-	-		-



**LH25.5W-60**


ITEM#	DESCRIPTION	MAIN MATERIAL / NOTE	ASTM, AISI CODE	RELATED EN CODE	QTY
1	Power Cable	Chloroprene Sheath AWG12/4-65ft			1
6	Stuffing Box	Cast Iron	A48M Class30B	EN1561 GJL-200	1
20A	Upper Pump Casing	Ductile Cast Iron	A536 65-45-12	EN1563 GJS-450-10	1
20B	Lower Pump Casing	Cast Iron	A48M Class30B	EN1561 GJL-200	1
20C	Upper Pump Casing	Cast Iron	A48M Class30B	EN1561 GJL-200	1
20D	Lower Pump Casing	Cast Iron	A48M Class30B	EN1561 GJL-200	1
21	Impeller	High Chrome Cast Iron	A532 Class TypeA	DN 1695 G-X260Q27	2
23	Suction Strainer	Steel	A283 Grade D	EN10025 S275	1
25	Mechanical Seal	Silicon Carbide / HT-2530N			1
26	Labyrinth Ring	Stainless Steel	S 30400	1.4301	2
29	Oil Casing	Ductile Cast Iron	A536 65-45-12	EN1563 GJS-500-7	1
30	Oil Lifter	PBTResin W/GF40			1
34	Mouth Ring	High Chrome Cast Iron	A532 Class TypeA	DN 1695 G-X260Q27	2
35	Oil Plug	Stainless Steel	S 30400	1.4301	1
36	Lubricant	Turbine Oil ISO VG32 or SAE 10W-20			
37	Discharge Pipe	Steel Pipe (& Steel) / 2" JIS10K	A53 Type F (& A283 Grade D)	DN 1615 St 33 (& EN 10025 S275)	1
43	Cathodic Protection Plate	Zinc Anode			2
48	Companion Flange	Cast Iron / NPT 2" JIS10K	A48M Class30B	EN1561 GJL-200	1
50	Motor Bracket	Cast Iron	A48M Class30B	EN1561 GJL-200	1
52A	Upper Bearing	#6305ZZC3			1
52B	Lower Bearing	#6307ZZD2C3			1
53	Motor Protector				1
54	Shaft	Stainless Steel	S 42000	1.4028	1
55	Rotor				1
56	Stator				1
60	Bearing Housing	Cast Iron	A48M Class30B	EN1561 GJL-200	1
64	Motor Housing	Cast Iron	A48M Class30B	EN1561 GJL-200	1
65	Outer Cover	Steel	A283 Grade D	EN10025 S275	1
71A	Shaft Sleeve (Upper)	Stainless Steel	S 40300	1.4000	1
71B	Shaft Sleeve (Lower)	Stainless Steel	S 40300	1.4000	1
72	Lifting Lug Bolt	Stainless Steel	S 30400	1.4301	2

PARTS LIST		HIGH HEAD DEWATERING PUMP			11/2/2017	
ITEM	PART No.	DESCRIPTION	QTY	SIZE	MATERIAL	NOTES
1	001-841-46	Cabtyre Cable Set (65') 60Hz(USA)	1	2PNCTF4Cx3.5mm2	KTZ	
2	010-121-19	Cable Clip Rubber	1	No.1	NBR	
3	010-120-18	Cable Clip	1	No.2-1	SPC	
4	141-004-59	Hex.Nut	1	M6	SWRM	
5	140-032-37	Hex.Bolt	1	M6x15	SWRM	
6	095-131-18	Chain	1	4mm(3L)	SS	
7	011-110-11	Shackle	1	6mm(M8.SC)	SS	
8	140-060-18	Hex.Bolt	4	M8x50	SUS304	
9	006-167-17	Stuffing Box	1	No.1-3	FC	included in ITEM# 1 Cable Ass'y
10	122-121-12	O-Ring	1	G-50(49.4xd3.1)	NBR	*
11	004-168-12	Cable Bush	1	No.2	CR	included in ITEM# 1 Cable Ass'y
12	008-156-19	Mould Cover	1	No.1-3	ADC	included in ITEM# 1 Cable Ass'y
13	009-123-10	Terminal	4	P-5.5	CU	
14	009-101-12	Terminal(C/W Screw)	4	d12x(d6.6xd6.6)x25l	C3604	
15	009-123-10	Terminal	4	P-5.5	CU	
16	002-129-15	Heat Shrink Tube (Sold per meter)	m	EVA(d14x1t)	(Vm)	
17	002-132-11	Heat Shrink Tube (Sold per meter)	m	A4(d17x0.27t)	(Vm)	
18	140-098-15	Hex.Bolt	4	M12x35	SUS304	
19	142-165-10	Spring Washer	4	M12	SUS304	
20	037-320-16	Flanged Discharge Pipe	1	50mm(GHZ-25.5W)	SGP+SS	
20-1	048-196-15	Companion Flange 2" NPT	1	JIS 10K x 2" NPT	FC200	
20-2	121-103-31	Packing, Companion Flange	1	JIS10K x 50mm	NR	
20-3	140-129-16	Bolt	4	M16x65	SUS304	
20-4	141-008-11	Nut	4	M16	SUS304	
20-5	142-166-11	Spring Washer	4	M16	SUS304	
21	121-413-11	Packing	1	100mm2(P.C.107)	THREE SHEET	*
22	140-074-15	Hex.Bolt	1	M10x20	SUS304	
23	142-164-19	Spring Washer	1	M10	SUS304	
24	070-103-10	L-Shape Fitting	1	KT-55	SPC	
25	143-014-16	Pan Screw	1	M4x8	SWRM	
26	142-124-46	Plain Washer	1	M4	C3604	
27	009-164-13	Earth Terminal	1Set	3.5mm2x190L		
28	140-087-11	Hex.Bolt	4	M10x80	SUS304	
29	142-164-19	Spring Washer	4	M10	SUS304	
30	142-297-12	Seal Washer	4	SM-10	SUS+NBR	*
31	072-102-22	Eye Bolt	2	M12	SUS304	
32	050-396-27	Motor Bracket	1		FC	
33	053-000-50	Motor Protector 230V-60Hz(USA)	1	KA314-HKZL202	(H.C)	

PARTS LIST		HIGH HEAD DEWATERING PUMP			11/2/2017	
ITEM	PART No.	DESCRIPTION	QTY	SIZE	MATERIAL	NOTES
	053-000-53	Motor Protector 460V-60Hz(USA)	1	KA314-HRZL206	(H.C)	
	053-000-52	Motor Protector 575V-60Hz(USA)	1	KA314-HRXL206	(H.C)	
34	142-124-20	Plain Washer	2	M4	SPC	
35	143-016-18	Pan Screw	2	M4x12	SWRM	
36	142-197-11	Wave Washer	1	6305	SK5	
37	052-108-13	Bearing	1	6305ZC3		
38	122-244-12	O-Ring	1	61.4xd3.1	NBR	*
39	121-421-12	Packing	1	d218xd229.4x12.5t	NBR	*
40	065-231-16	Outer Cover	1	GHZ-25.5W	SS	
41	121-421-12	Packing	1	d218xd229.4x12.5t	NBR	*
42	058-151-19	Lead Wire Protection Plate	1	d85xd125x1.5t	Bakelite	
43		Stator 230V-60Hz(USA)	1Set			
	056-002-05	Stator 460V-60Hz(USA)	1Set			
	056-002-06	Stator 575V-60Hz(USA)	1Set			
44	122-335-11	O-Ring	1	177.39xd3.53	NBR	*
45	064-463-16	Motor Frame	1		FC	
46	122-329-12	O-Ring	1	151.99xd3.53	NBR	*
47	055-722-18	Rotor	1Set			
48	147-125-13	Impeller Key	2	5x5x15l	SUS420	
49	140-032-37	Hex.Bolt	3	M6x15	SWRM	
50	062-206-13	Bearing Fixing Plate	1	d72xd110x4.5t	SS	
51	052-147-14	Bearing	1Set	6307ZZD2C3		
52	146-022-16	Retaining Ring	1	C35	SK5	
53	060-418-27	Bearing Housing	1		FC	
54	121-247-12	Packing	1	d12.3xd18x2t	PE	*
55	035-113-18	Oil Plug	1	M12x14	SUS304	
56	142-297-12	Seal Washer	4	SM-10	SUS+NBR	
57	142-164-19	Spring Washer	4	M10	SUS304	
58	140-292-11	Hex.Socket Cap Bolt	4	M10x55	SUS304	
59	144-404-36	Stud Bolt	4	M10x40(20/20)(JIS)	SUS304	
60	025-000-01	Mechanical Seal	1	HT-2530N	SIC	
61	143-070-23	Pan Screw	2	M5x6	SWRM	
62	030-139-15	Oil Lifter	1	HT-2530	Resin	
63	143-070-10	Pan Screw	4	M5x6	SWRM	
64	030-148-17	Seal Stopper	1	HT-2530	SPCC	
65	122-328-11	O-Ring	1	150xd3.1	NBR	*
66	029-000-39	Oil Casing	1	LH25.5W	FCD	
67	140-269-19	Hex.Socket Cap Bolt	4	M8x25	SUS304	

PARTS LIST		HIGH HEAD DEWATERING PUMP			11/2/2017	
ITEM	PART No.	DESCRIPTION	QTY	SIZE	MATERIAL	NOTES
68	122-328-11	O-Ring	1	150xd3.1	NBR	*
69	071-215-13	Shaft Sleeve (2nd Stage)	1	d20xd28x17.5t	SUS403	
70	122-311-11	O-Ring	1	220xd3.5	NBR	*
71	020-001-20	Pump Casing (Upper/2nd Stage)	1	GHZ25.5W(w/Labyrinth Ring)	FC+SUS	Labyrinth Ring 026-254-14
72	122-311-11	O-Ring	1	220xd3.5	NBR	*
73	142-164-19	Spring Washer	4	M10	SUS304	
74	141-006-19	Hex.Nut	4	M10	SUS304	
75	040-106-27	Impeller Shim		d20.2xd30x0.3t	SUS304	
76	021-E28-16	Impeller (60Hz)	2	LH25.5W-60	HiCrFC	
76	021-E27-15	Impeller (50Hz) OPTION	2	LH25.5W-50	HiCrFC	50Hz OPTION
77	020-851-19	Pump Casing (Lower/2nd Stage)	1	GHZ-25.5W(w/Mouth Ring)	FC+HiCrFC	
78	122-311-11	O-Ring	1	220xd3.5	NBR	*
79	140-272-15	Hex.Socket Cap Bolt	4	M8x40	SUS304	
80	020-852-10	Pump Casing (Upper/1st Stage)	1	GHZ25.5W(w/Labyrinth Ring)	FC+SUS	Labyrinth Ring 026-254-14
81	122-311-11	O-Ring	1	220xd3.5	NBR	*
82	140-271-14	Hex.Socket Cap Bolt	4	M8x35	SUS304	
83	071-216-14	Shaft Sleeve (1st Stage)	1	d20xd28x37t	SUS403	
84	040-106-27	Impeller Shim		d20.2xd30x0.3t	SUS304	
85	142-130-16	Plain Washer	1	M16	SUS304	
86	141-008-11	Hex.Nut	2	M16	SUS304	
87	020-853-11	Pump Casing (Lower/1st Stage)	1	GHZ-25.5W(w/Mouth Ring)	FC+HiCrFC	
88	140-271-14	Hex.Socket Cap Bolt	4	M8x35	SUS304	
89	144-000-61	Stud Bolt	4	M8x59(15/22)	SUS410	
90	023-001-21	Strainer Stand	1	LH25.5W-50/60	SS	
91	142-163-18	Spring Washer	4	M8	SUS304	
92	141-005-18	Hex.Nut	4	M8	SUS304	
93	140-268-18	Hex.Socket Cap Bolt	2	M8x20	SUS304	
94	043-100-17	Cathodic Protection Plate	2	DW(50x34x20t)	ZNP	
95	141-005-18	Hex.Nut	2	M8	SUS304	
	173-470-17	<b>Packing O-Ring Set</b>	1Set	(Marked by *)		
10	122-121-12	O-Ring (S.Box)	1	G-50(49.4xd3.1)	NBR	*
21	121-413-11	Packing (Discharge Pipe)	1	100mm2(P.C.107)	THREE SHEET	*
30	142-297-12	Seal Washer (M.Bracket bolt)	4	SM-10	SUS+NBR	*
38	122-244-12	O-Ring (Upp. Bearing)	1	61.4xd3.1	NBR	*
39	121-421-12	Packing (M.Bracket/Out.Cover)	1	d218xd229.4x12.5t	NBR	*
41	121-421-12	Packing (Out.Cover/Brg.Housing)	1	d218xd229.4x12.5t	NBR	*
44	122-335-11	O-Ring (M.Bracket/M.Frame)	1	177.39xd3.53	NBR	*
46	122-329-12	O-Ring (M.Frame/Brg.Housing)	1	151.99xd3.53	NBR	*

PARTS LIST		HIGH HEAD DEWATERING PUMP				11/2/2017
ITEM	PART No.	DESCRIPTION	QTY	SIZE	MATERIAL	NOTES
54	121-247-12	Packing (Oil Plug)	1	d12.3xd18x2t	PE	*
56	142-297-12	Seal Washer (Brq.Housing bolt)	4	SM-10	SUS+NBR	*
65	122-328-11	O-Ring (Brq.Housing/O.Casing)	1	150xd3.1	NBR	*
68	122-328-11	O-Ring (O.Casing/Upp. P.Casing, 2nd Stage)	1	150xd3.1	NBR	*
70	122-311-11	O-Ring (Brq.Housing/Upp. P.Casing, 2nd Stage)	1	220xd3.5	NBR	*
72	122-311-11	O-Ring (Upp. P.Casing, 2nd Stage/Low. P.Casing, 2n	1	220xd3.5	NBR	*
78	122-311-11	O-Ring (Upp. P.Casing, 1st Stage/Low. P.Casing, 2n	1	220xd3.5	NBR	*
81	122-311-11	O-Ring (Upp. P.Casing, 1st Stage/Low. P.Casing, 1s	1	220xd3.5	NBR	*
		Lubricant		Turbine Oil VG32 860ml		

PARTS LIST		HIGH HEAD DEWATERING PUMP				11/2/2017
ITEM	PART No.	DESCRIPTION	QTY	SIZE	MATERIAL	NOTES

## EXPLODED VIEW

LH25.5W-50/60

